

LOWER LEVEL PLUMBING PLAN

HOWARD L. OYERBEEK
 ARCHITECT, P.C.

198 EAST CENTRE
 PORTAGE, MICHIGAN

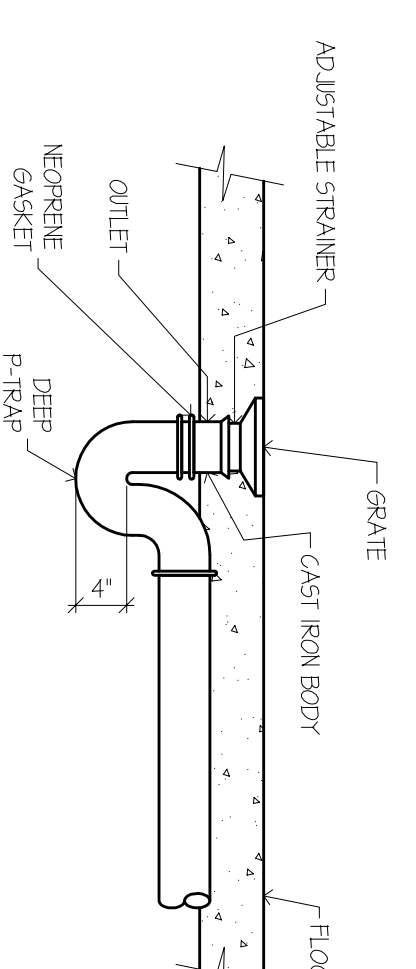
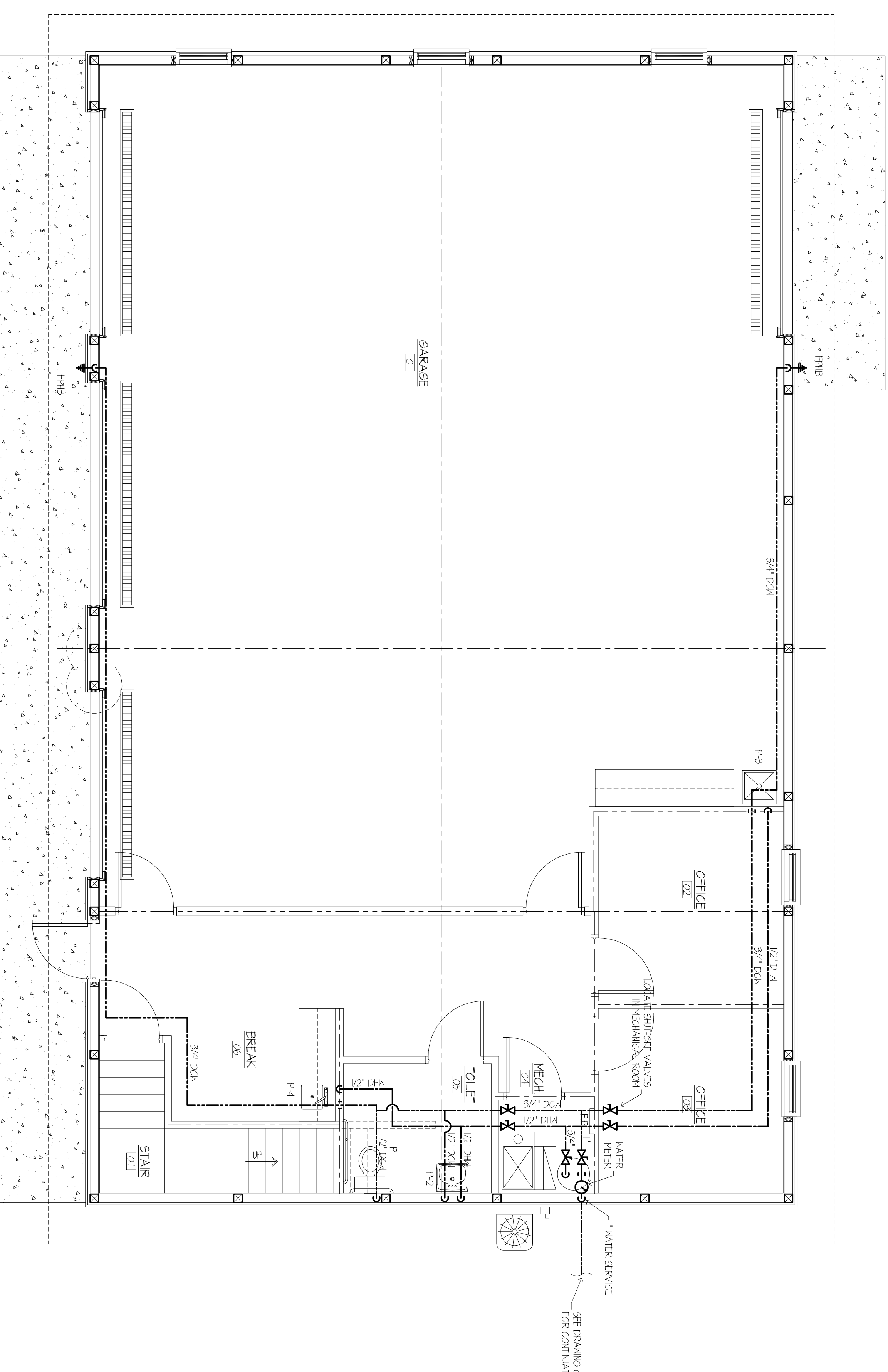
PHONE (269) 323-2422
 FAX (269) 323-2440

PROJECT NO.
 0000

DATE
 01/03/17

REVISION

SHEET
P1



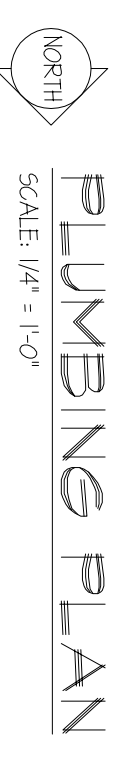
FLOOR DRAIN DETAIL P-5
 NO SCALE

PLUMBING SCHEDULE

- P-1 KOHLER K-480-O WELLCORP ELONGATED TOILET BOWL WHITE P/N:186561
- P-2 KOHLER K-2005-O KINGSTON 21Wx14 CENTER WALL HINGE LAV WHITE P/N:237986
- P-3 MAAX SIFRE POLY SINGLE LANDRY SINK MODEL: VVEZ 10854 LES KIT: 1005518-023 FAUCET KIT: 1005543
- P-4 CHAIR MATELOR 28 X22x36 5/4" TONING SINK P/N: 31131 ON APPROVED ISOL FAUCET AND DRAIN TO FIT
- P-5 JS-2007 3 IN BODY AND COLLAR 2005103BA-F050 P/N: 200815 5 DIA UB FLOOR DRAIN ADJ STRAINER ONLY P/N: 31744 JS-2405-03 3.0IWD CLOSE TRAP 4EAL P/N: 184591

PLUMBING NOTES:

1. CONTRACTOR IS RESPONSIBLE TO VERIFY CONDITIONS RELATING TO WORK REQUIRED.
2. CONTRACTOR SHALL PAY FOR ALL NECESSARY PERMITS, FEES, TAXES AND APPROVALS FOR CONSTRUCTION.
3. CODES AND REGULATIONS SHALL APPLY WITH ALL LOCAL, STATE, NATIONAL AND REGIONAL CODES.
4. CONTRACTOR SHALL PAY FOR GAS SERVICE INCLUDING, FEES, PERMITS, MATERIALS, LABOR AND COORDINATE GAS METER LOCATION WITH GAS UTILITY.
5. PATCH ALL WALL, FLOOR AND CEILING PENETRATIONS TO MATCH FINISH.
6. PROVIDE HANGERS AND SUPPORTS WHERE REQUIRED.
7. REQUIRE OF THANNAIN FIRE SEPARATION INTEREST. USE UL LISTED MATERIAL.
8. ALL GAS PIPING SHALL BE SCHEDULE 40 BLACK STEEL, SCREWED PIPE AND FITTINGS FOR 2" PIPE AND SMALLER, WELDED PIPE AND FITTINGS FOR 2 1/2" PIPE AND LARGER.
9. FRED FLEDE OF EQUIPMENT SHUT-OFF VALVE AND DIRT LEG AT EACH GAS EXPOSED DOMESTIC HOT AND COLD WATER PIPING SHALL BE COPPER TYPE 'L', ASTM B88, WITH ROUGH COPPER FITTINGS, USE LEAD FREE SOLDER. HIDDEN PIPING SHALL BE FLEX TYPE TUBING AND FITTINGS.



11. INSULATE DOMESTIC HOT AND COLD WATER PIPING WITH 1/2" ARMAFLEX WITH VAPOR BARRIER ON COLD WATER PIPING, WHERE EXPOSED.
12. PROVIDE TRAPPED CONDENSATE AT EACH COOLING COIL AND CONDENSING COPPER PIPING TYPE 'M' PIPING TO FLOOR DRAIN, USE
13. SANITARY WASTE AND VENT PIPING SHALL BE PVC, ASTM D2665
14. SLOPE ALL SANITARY WASTE PIPING 1/4" PER FOOT WHERE POSSIBLE AND A MINIMUM SLOPE OF 1/8" PER FOOT
15. PROVIDE P-TRAPS, ANGLE STOPS AND CHROME PLATED WALL
16. PROVIDE CHROME PLATED STRAINERS
17. SEE ARCHITECTURAL DRAWINGS FOR FIXTURE MOUNTING HEIGHTS, PENETRATIONS
18. PROVIDE CHROME PLATED ESCUTCHEONS AT ALL VISIBLE PIPE PENETRATIONS.
19. PROVIDE CHROME PLATED CLEAN-OUT COVERS ON ALL CLEAN-OUTS WHERE VISIBLE.
20. CLEAN-OUTS WHERE VISIBLE
21. PROVIDE SHOCK ABSORBERS ON ALL WATER SUPPLY PIPING WHERE REQUIRED. SHOCK ABSORBERS SHALL BE IN ACCORDANCE WITH FDI PLUMBING DRAINAGE INSTITUTE STANDARDS. SHOCK ABSORBERS SHALL BE INSTALLED AT ALL VISIBLE LOCATIONS.
22. FLASH ALL ROOF PENETRATIONS WATERIGHT. INSTALL PER ARCHITECT RECOMMENDATIONS.
23. VERIFY EQUIPMENT AND PIPING LOCATIONS WITH OWNER.